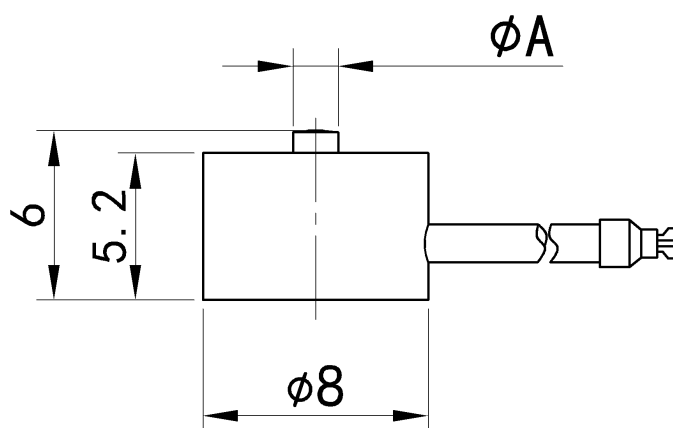


微型压力传感器/Force sensor

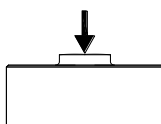
型号: F8Y



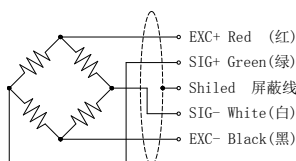
量程 CAP (N)	A
20/50/100/200	1.6
300/500	2.3

●量程 N / CAP: 50/100/200/300/500N

●受力方式 / Load Direction



●接线图/ Schematic Wiring Diagram



●参数/Specifications:

输出灵敏度 Rated output	1.0 ± 20% mV / V	输出电阻 Output impedance	600~800 Ω
零点输出 Zero balance	± 1 % F. S.	绝缘电阻 Insulation	≥ 5000M Ω / 100VDC
非线性 Non-linearity	0.5% F. S.	激励电压 Recommended excitation	5~10V
滞后 Hysteresis	0.5% F. S.	最大激励电压 Maximum excitation 15 V	15V
重复性 Repeatability	0.5 % F. S.	温度补偿范围 Compensated temp range	- 10 ~ 60 °C
蠕变 (30 分钟) Creep (30min)	0.2% F. S.	工作温度范围 Operation temp range	- 20 ~ 80°C
温度灵敏度漂移 Temp. effect on output	0.05 % F. S. / 10°C	安全超载 Safe overload	120% F. S.
零点温度漂移 Temp. effect on zero	0.05 % F. S. / 10°C	极限超载 Ultimate overload	150% F. S.
输入电阻 Input impedance	600~800 Ω	防护等级 Protection class	IP66

●材料: 不锈钢 Material: stainless steel

●特点: 安装空间小、高度低、变形量小、响应速度快、受力方式为压向.

●用途: 一般用于工业领域的测试、测量及控制系统等。如: 按键手感度测试仪、3C 产品测试、自动化组装、冷热压机压力检测、新能源产品组装、轴压装等.

● The installation space is small, the height is low, the deformation amount is small, the response speed is fast, and the force mode is the pressure direction.

● It is generally used in industrial testing, measurement and control systems. Such as: button feel tester, 3C product test, automated assembly, hot and cold press pressure detection, new energy product assembly, shaft press and so on.