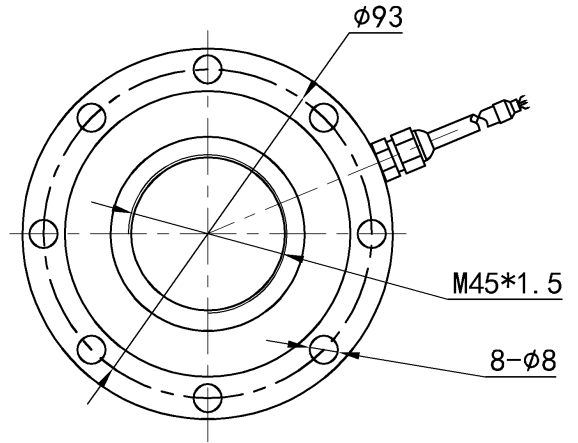
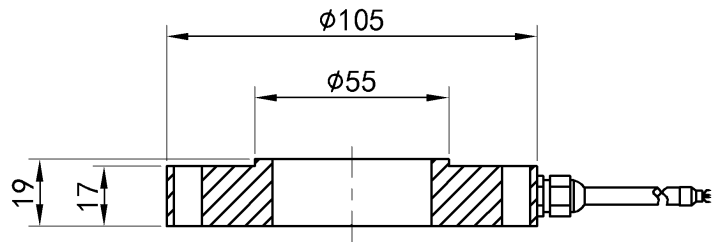
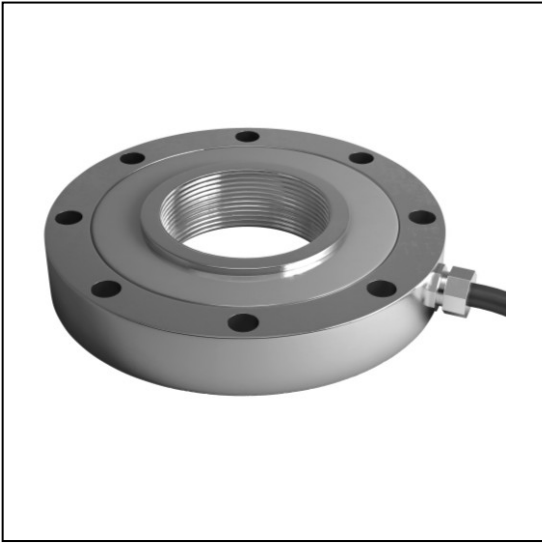


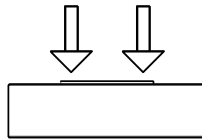
环形测力传感器/Force sensor

型号: F14L-3

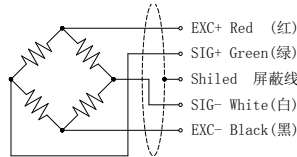


●量程 kN / CAP: 0.5/1/2/5/10/20/30/50kN

●受力方式 / Load Direction



●接线图/ Schematic Wiring Diagram



●参数/Specifications:

输出灵敏度 Rated output	2.0 ± 10% mV / V	输出电阻 Output impedance	350 ± 3 Ω
零点输出 Zero balance	± 2% F.S.	绝缘电阻 Insulation	≥ 5000 MΩ / 100VDC
非线性 Non-linearity	0.10% F.S.	激励电压 Recommended excitation	5~10V
滞后 Hysteresis	0.10% F.S.	最大激励电压 Maximum excitation 15 V	15V
重复性 Repeatability	0.10 % F.S.	温度补偿范围 Compensated temp range	- 10 ~ 60 °C
蠕变 (30 分钟) Creep (30min)	0.10 % F.S.	工作温度范围 Operation temp range	- 20 ~ 80°C
温度灵敏度漂移 Temp. effect on output	0.05 % F.S. / 10°C	安全超载 Safe overload	120% F.S.
零点温度漂移 Temp. effect on zero	0.05 % F.S. / 10°C	极限超载 Ultimate overload	150 % F.S.
输入电阻 Input impedance	380 ± 10 Ω	防护等级 Protection class	IP66

●材料:合金钢或不锈钢 Material: Alloy steel or stainless steel / 可定制 Customizable

●特点 :中空设计、高度低、变形量小、响应速度快、受力方式为压向.

●用途:一般用于工业领域的测试、测量及控制系统等。如:挤压力测试、3C 产品测试、自动化组装、冷热压机压力检测、新能源产品组装、轴压装、医疗检测、机器人领域等.

●Hollow design, low height, small deformation, fast response, and the way of stress is pressure.

●It is generally used in industrial testing, measurement and control systems. Such as: extrusion force test, 3C product test, automated assembly, hot and cold press pressure detection, new energy product assembly, shaft press, medical testing, robotics, etc.